

TORNADO

Model 3138-3468

Pressure-Assist Elongated High-Efficiency Toilet



Features

2-1/4" Fully Glazed Trapway –
Passes a 2" Ball

High-Efficiency Toilet (HET) with
Powerful Pressure-Assist
1.0 gpf / 4.0 lpf Flush

Extra-Quiet Flushing Action

Equipped with – Sloan Flushmate® IV

Flushes 700 grams of solids per
MaP test

Extra-Large 12" x 10-1/2"
Water Surface

Chrome-Plated Metal Flush Lever

Lifetime Warranty on
Vitreous China

High-Gloss Vitreous China –
Durable, Nonporous

Specifications

3138	Elongated Bowl	53 Lbs.
3468	12" Rough-In Tank	37 Lbs.
3470	12" Right-Hand Flush	37 Lbs.



Meets ANSI / ASME A112.19.2-2003

Meets Canadian Standards Association
General Requirements for Ceramic
Plumbing Fixtures B45.0-02
Seat Not Included

THE PROVEN LEADER

IN FLUSHING PERFORMANCE

Vortens[™]
ALL PERFORMANCE.
NO PROBLEMS.

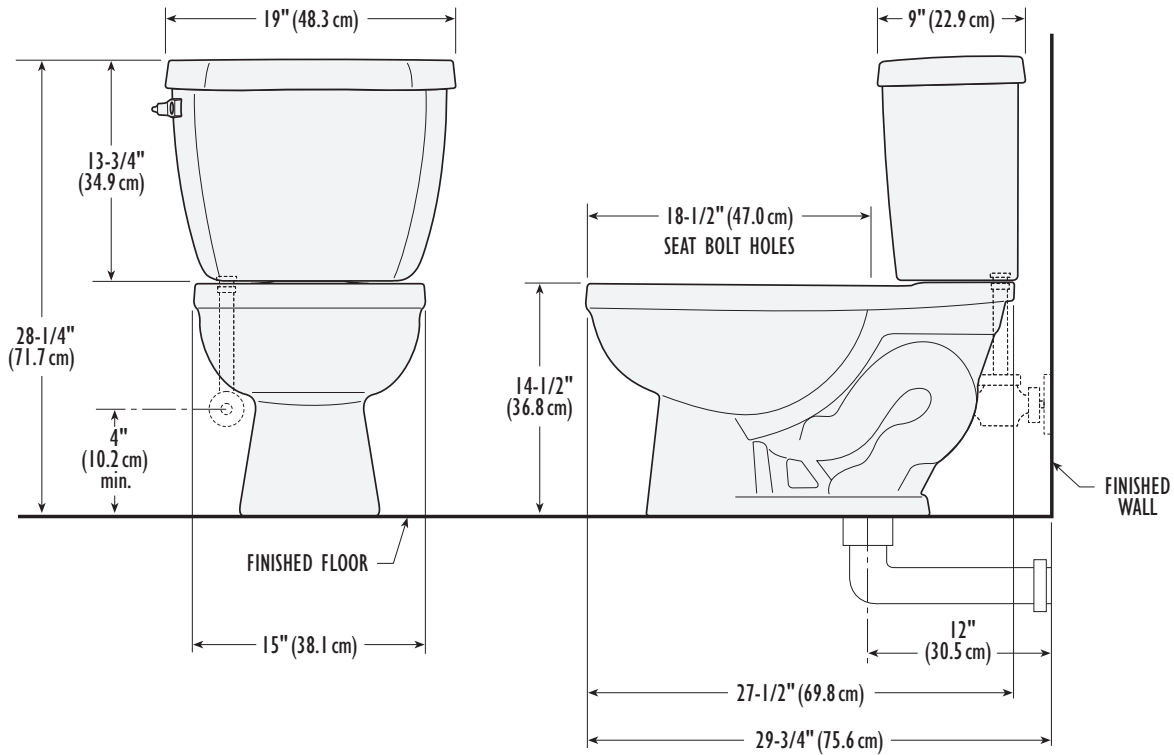
TORNADO

Model 3138-3468

**Pressure-Assist
Elongated
High-Efficiency Toilet**

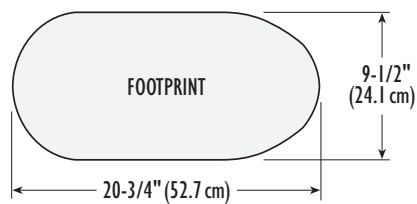
Dimensions

Rough-in dimensions can vary +1/4" or -1/4" (0.6 cm)



Specifications

3138	Elongated Bowl	53 Lbs.
3468	12" Rough-In Tank	37 Lbs.
3470	12" Right-Hand Flush	37 Lbs.



U.S. CUSTOMER SERVICE

Toll Free: 866-821-2811 • customerservice@vortens.com

U.S. OFFICE

1498 Brookpark Drive
Mansfield, Ohio 44906
Toll Free: 800-471-5129
Fax: 419-756-3905
ussales@vortens.com
www.vortens.com

CANADIAN OFFICE

PO Box 2615
Richmond Hill, Ontario L4E 1A6
Phone: 905-737-7134
Fax: 905-737-9804
canadiansales@vortens.com
www.vortens.com

