


With Western the water savings are significant and maintenance is minimal.

Our customers tell us it's "The Best Flushing Toilet in America!"

- Elongated ADA bowl.
- Up to 40% water savings over conventional 1.6 gpf toilets.
- Sani-Glazed trapway gives years of sanitary, trouble free use.
- Full size water surface and seal for a clean and sanitary bowl.
- Quick-Install tank to bowl fittings speed installation and helps reduce potential leaks.
- Front mount color-matched handle.
- Also available with 10" & 14" rough-in.
- Available in White, Ivory Bone and Cashmere.
- Seat not included.
- All Western products are IAPMO tested and meet or exceed  standards.
- Certified by IAPMO to meet or exceed the EPA WaterSense standards.



For more information please contact us toll-free:

877-WPWORKS (979-6757)

US Sales and Service

Phone 562.229.0910 • Fax 562.229.0930

www.westernpottery.com • Email: info@westernpottery.com

14405 Best Avenue • Norwalk, California 90650

B872 / T8ULF-HET

1.28 gpf

PHYSICAL PROPERTIES

Model: **B872 / T8ULF-HET**

Water Surface: **8.22" x 10.43"**

Water Seal: **2.55"**

Trapway Ball Pass: **2.00"**

Trapway Diameter: **2.00"**

Water Consumption: **1.28 gpf / 4.80 lpf**

Shipping Weight: **54 lbs., bowl**
28.4 lbs., tank

Shipping Cube: **5.21 ft., bowl**
1.47 ft., tank

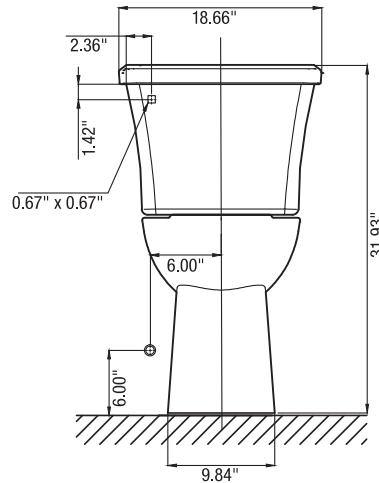
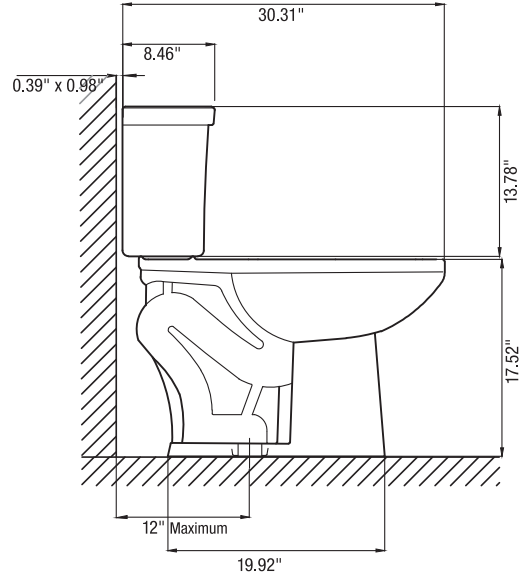
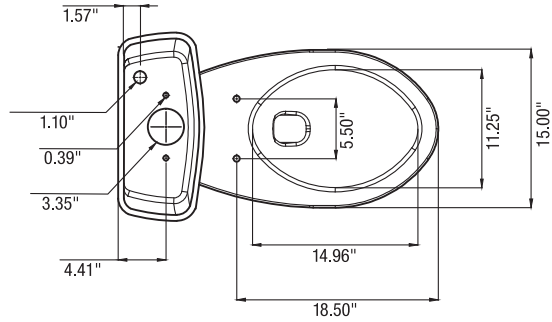
Minimum Rough-in: **11"**

Fill Valve: **A1251061**

Flush Valve: **A2103**

Tank Lever: **A5103**

Flapper No: **RA21020100000**



IMPORTANT: These dimensions are nominal and vary within the range of tolerances established by ASME standard A112.19.2.



For more information please contact us toll-free:

877-WPWORKS (979-6757)

www.westernpottery.com • Email: info@westernpottery.com