




- Round front bowl.
- Up to 40% water savings over conventional 1.6 gpf toilets.
- Sani-Glazed™ trapway gives years of sanitary, trouble free use.
- Full size water surface and seal for a clean and sanitary bowl.
- Quick-Install™ tank to bowl fittings speed installation and helps reduce potential leaks.
- Front mount color-matched handle.
- Also available with 10" & 14" rough-in.
- Available in White, Ivory Bone and Cashmere.
- Seat not included.
- All Western products are IAPMO tested and meet or exceed  standards.
- Certified by IAPMO to meet or exceed the EPA WaterSense standards.

With Western the water savings are significant and maintenance is minimal.

**Our customers tell us it's
"The Best Flushing Toilet in America!"**



For more information please contact us toll-free:

877-WPWORKS (979-6757)

US Sales and Service

Phone 562.229.0910 • Fax 562.229.0930

www.westernpottery.com • Email: info@westernpottery.com

14405 Best Avenue • Norwalk, California 90650

B822 / T8ULF-HET

1.28 gpf

PHYSICAL PROPERTIES

Model: **B822 / T5ULF-HET**

Water Surface: **8.30" x 9.60"**
(211mm x 244mm)

Water Seal: **2.00"** (66mm)

Trapway Ball Pass: **2.00"** (50mm)

Trapway Diameter: **2.00"** (51mm)

Water Consumption: **1.28 gpf / 4.80 lpf**

Shipping Weight: **44 lbs** (20.0kg) **bowl**
28.4 lbs (12.9kg) **tank**

Shipping Cube: **3.63 ft** (0.12m³) **bowl**
1.47 ft (0.04m³) **tank**

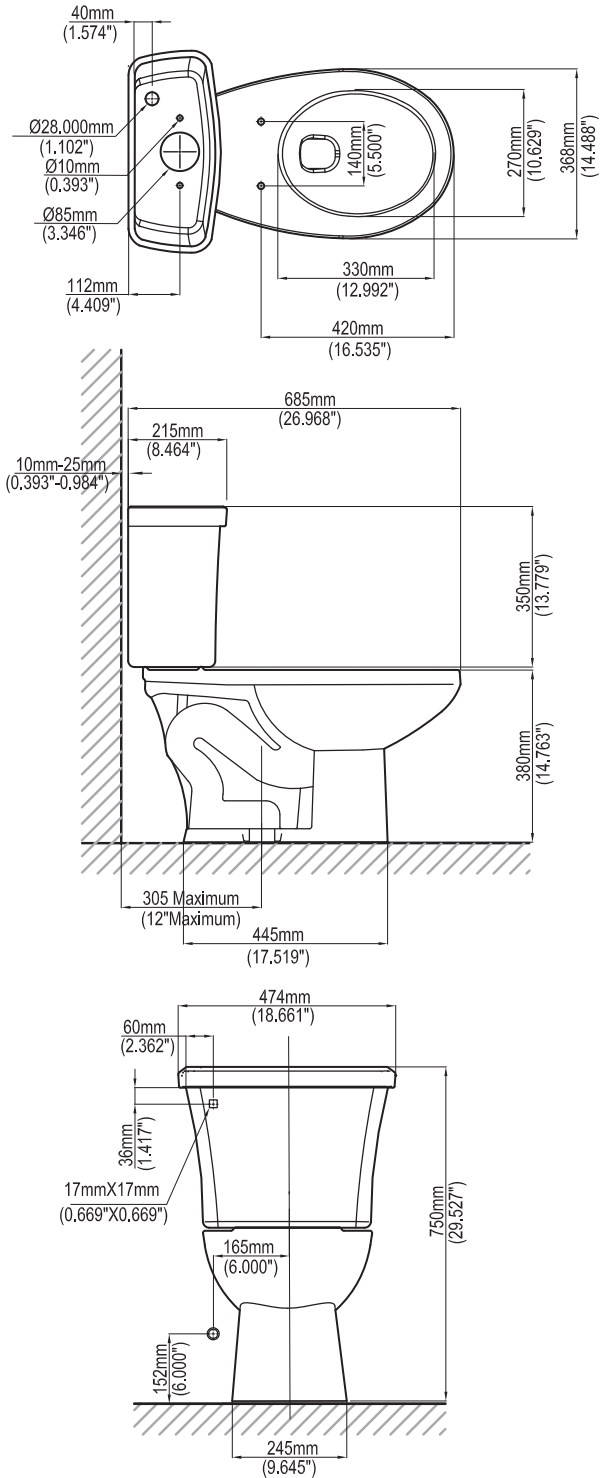
Minimum Rough-in: **11"** (254mm)

Fill Valve: **A1251061**

Flush Valve: **A2103**

Tank Lever: **A5103**

Flapper No: **RA21020100000**



IMPORTANT: These dimensions are nominal and vary within the range of tolerances established by ASME standard A112.19.2.



For more information please contact us toll-free:
877-WPWORKS (979-6757)

www.westernpottery.com • Email: info@westernpottery.com